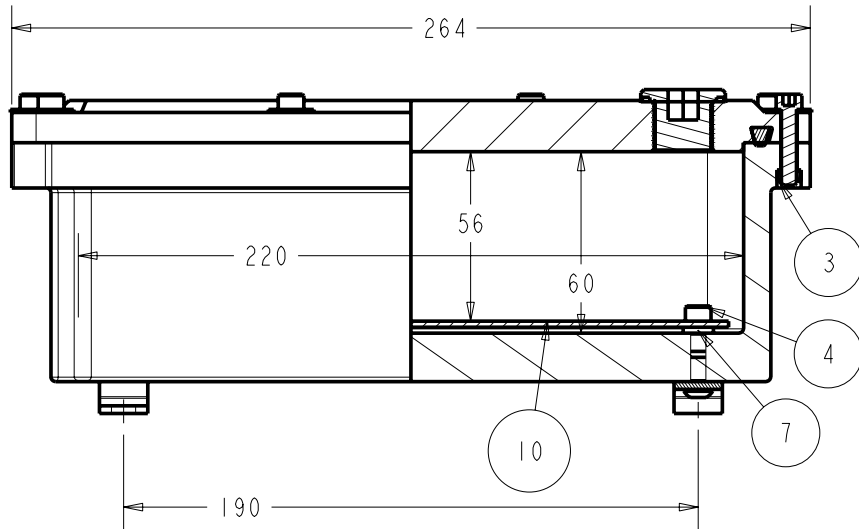
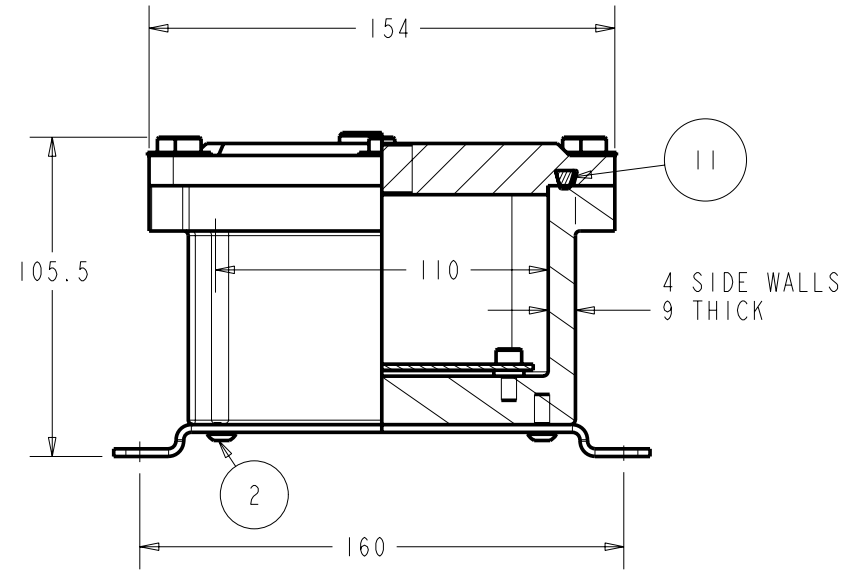


3RD ANGLE

© 2006 THE INFORMATION CONTAINED WITHIN THIS DRAWING IS THE COPYRIGHT OF SEALED ENCLOSURES LTD PTY AND MAY NOT BE USED WITHOUT PRIOR CONSENT

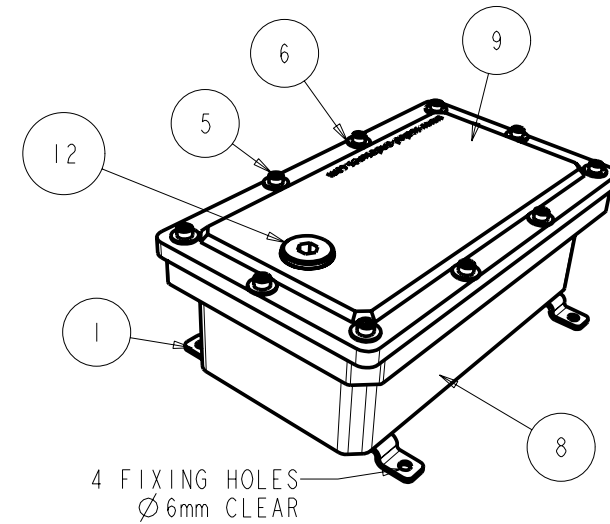


SECTION A-A
SCALE 0.400



SECTION B-B

ITEM	FILE NAME	DESCRIPTION	MATERIAL	QTY
1	BRIDGE_FOOT	BRIDGE FOOT	316 S/STEEL	2
2	BTN_M510S	SCREW;BTN HD;M5X10;S.S.	A4	4
3	M5_NUT	NYLOC NUT	A4	10
4	M512S	SCREW;SOC.CAP;M5X12;S.S.	A4	4
5	M525S	SCREW-SOC.CAP;M5X25-S.S.	A4	10
6	WASHER	OVERSIZE WASHER	A4	10
7	PILLAR	PILLAR	ACETAL	4
8	PLASTIC_BASE	BOX BODY	ACETAL	1
9	TOP_LID	BOX LID	ACETAL	1
10	SUB_PLATE	SUB PLATE	ALUMINIUM 6082-T6	1
11	FOX_GASKET_SEAL	CAPTIVE GASKET SEAL	SILICON RUBBER	1
12	BLANKING_PLUG	BLANKING PLUG M25 X 1.5	ST/STEEL 316S33	1



Sealed Enclosures
 www.sealed-enclosures.com
 FACTORY 4, 43-47 RIVERSIDE AVENUE WERRIBEE VICTORIA 3030 AUSTRALIA
 Tel +61 (0)3 8742-3525 Fax +61 (0)3 9923-6497

TITLE	ACETAL FOX BOX	PROJECT	STOCK	WEIGHT	2 KG	DRAWING NO	4004	ISSUE	1	ISSUE DATE	15th March 2005
RATING	30 METRES	NOTES	MACHINED FROM SOLID	UNITS	mm	DRAWN BY	E Bowes	CHECKED BY	A B	SHEET	1 OF 1