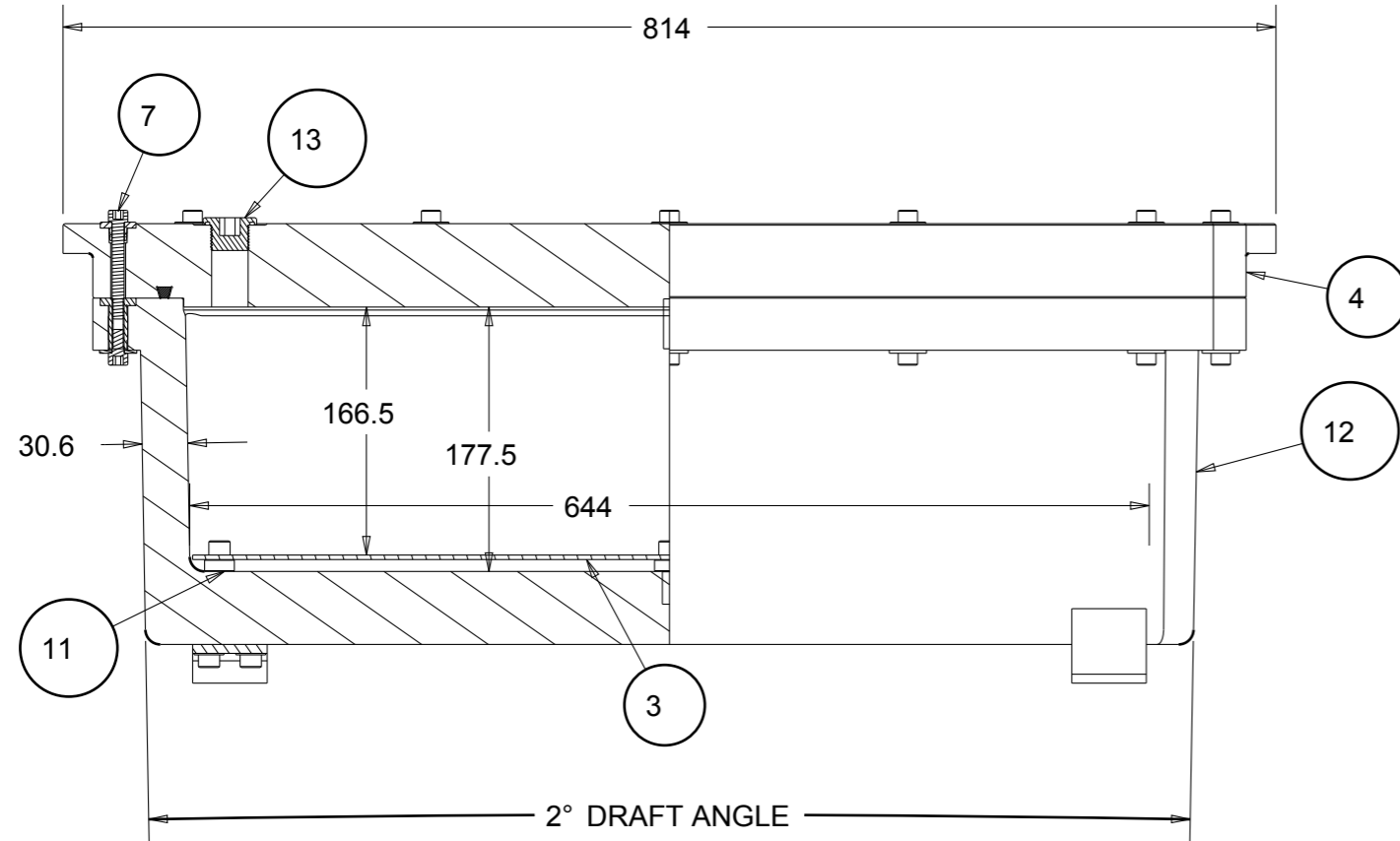
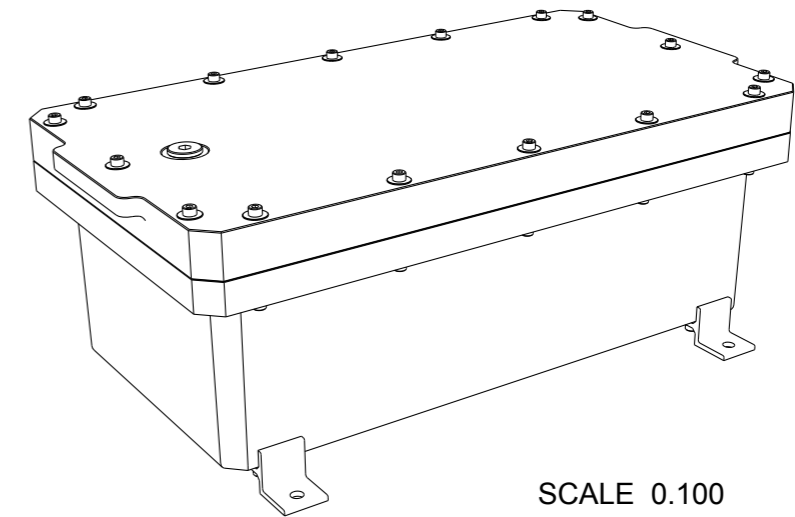
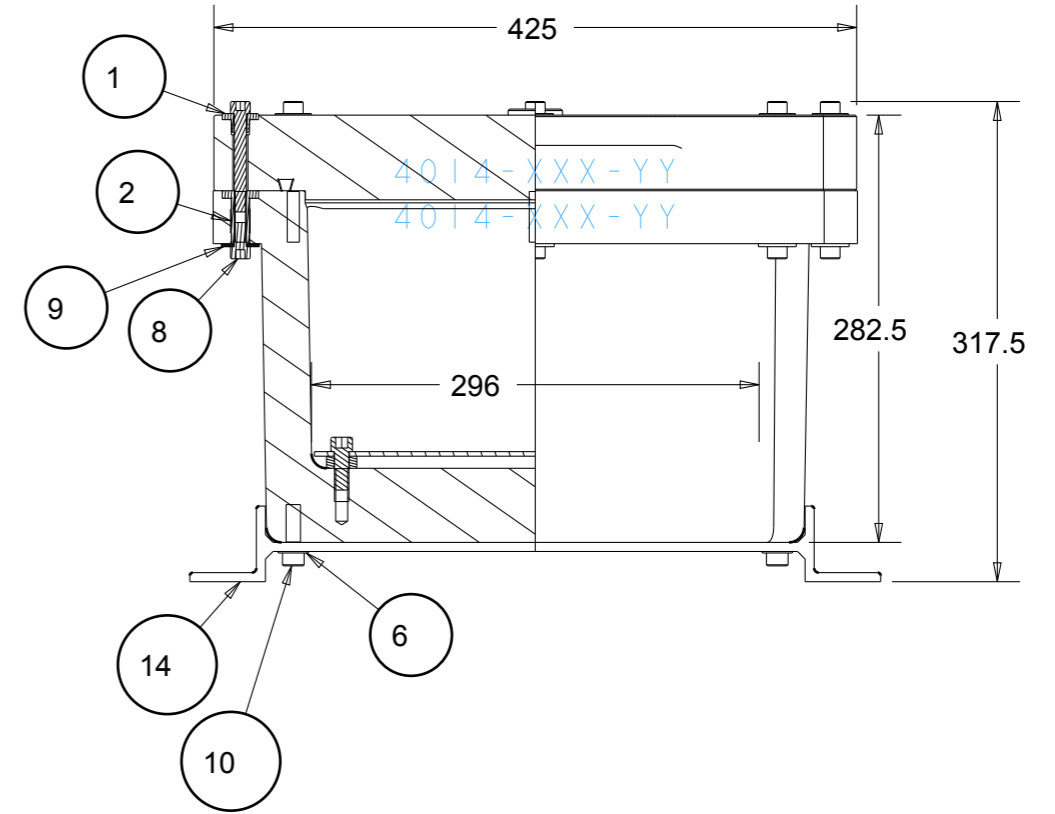


3RD ANGLE

©011 THE INFORMATION CONTAINED WITHIN THIS DRAWING IS THE COPYRIGHT OF SEALED ENCLOSURES PTY LTD AND MAY NOT BE USED WITHOUT PRIOR CONSENT




SECTION C-C  
SCALE 0.200



SCALE 0.100

| ITEM | FILE NAME          | DESCRIPTION                     | MATERIAL             | QTY |
|------|--------------------|---------------------------------|----------------------|-----|
| 1    | LID_INSERT         | LID INSERT                      | # AL/BRONZE NES833   | 16  |
| 2    | TAPPED             | TAPPED INSERT WITH SPLINED BODY | # AL/BRONZE NES833   | 16  |
| 3    | SUB_PLATE          | MOUNTING PLATE                  | # ALUMINIUM          | 1   |
| 4    | HOUSING_TOP        | BOX LID                         | # RIGID POLYURETHANE | 1   |
| 5    | SEAL               | CAPTIVE GASKET SEAL             | # SILICON RUBBER     | 1   |
| 6    | 3_8_WASHER         | 3_8                             | A4                   | 8   |
| 7    | M8_65_SS           | SCREW-SOC.CAP;M8X65-S.S.        | A4                   | 16  |
| 8    | M816S              | SCREW-SOC.CAP;M8X16-S.S.        | A4                   | 16  |
| 9    | M8X25_PENNY_WASHER | M8 X 25 PENNY WASHER            | A4                   | 16  |
| 10   | N3-8X1S            | SCREW;SOC.CAP;3/8-16X1;S.S.     | A4                   | 14  |
| 11   | SPACER             | PLASTIC SPACER                  | ACETAL               | 6   |
| 12   | HOUSING_BASE       | BOX BODY                        | RIGID POLYURETHANE   | 1   |
| 13   | BLANKING_PLUG      | BLANKING PLUG M20 X 1.5         | ST/STEEL 316S33      | 1   |
| 14   | FOOT               | BRIDGE STYLE FOOT               | ST/STEEL 316S33      | 2   |

# OTHER MATERIALS AVAILABLE ON REQUEST

|  |  |           |            |            |        |               |  |
|--|--|-----------|------------|------------|--------|---------------|--|
| <br>FACTORY 4<br>43-47 RIVERSIDE AVE<br>WERRIBEE<br>VICTORIA 3030<br>AUSTRALIA<br>www.sealed-enclosures.com<br>Tel 03 8742 3525 Fax 03 9923 6497 | TITLE                                      | RATING    | SCALE 0.15 | DRAWING NO | ISSUE  | ISSUE DATE    |  |
|  | SEA CHEST - UNDERWATER HOUSING             | 70 METERS |            | 4014       | 4      | 10th Nov 2009 |  |
| MATERIAL   | NOTES                                      | UNITS     | DRAWN BY   | CHECKED BY | SHEET  |               |  |
| SEE TABLE  | DIMENSIONS SHOWN ARE A CAST, TOLERANCE ± 2 | mm        | E Bowes    | A B        | 1 of 7 |               |  |