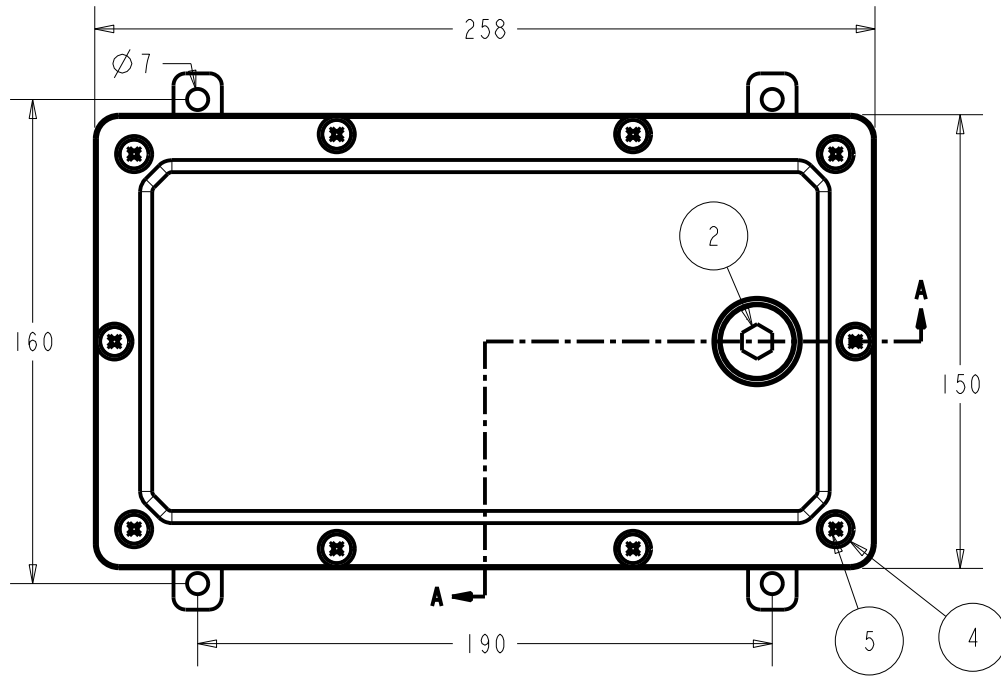
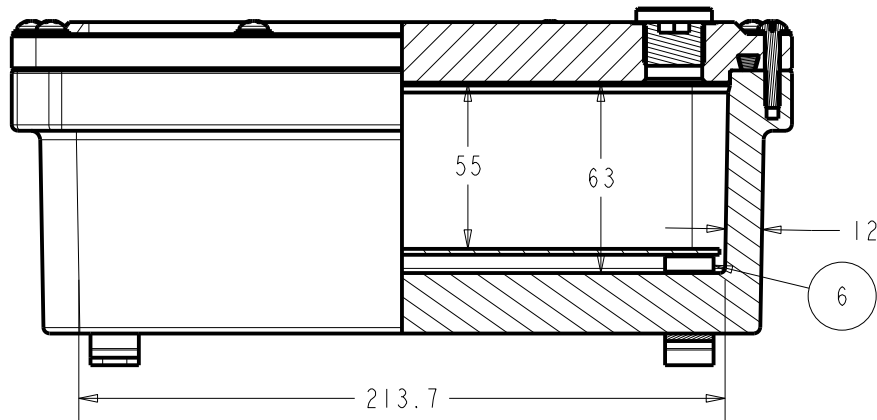


3RD ANGLE

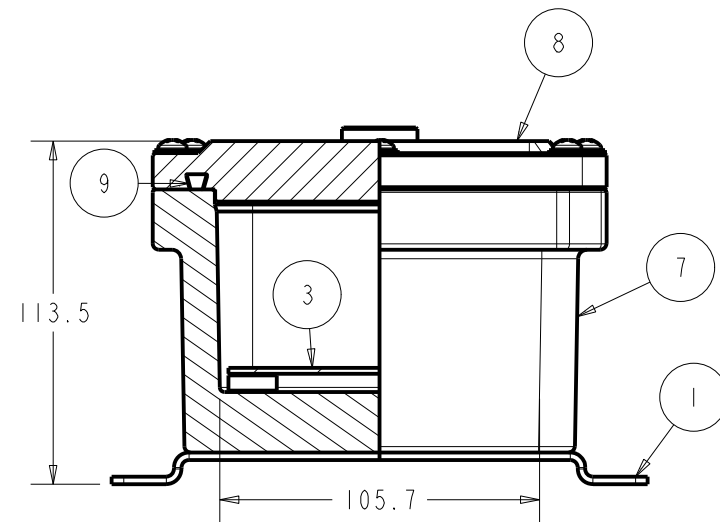
© 2011 THE INFORMATION CONTAINED WITHIN THIS DRAWING IS THE COPYRIGHT OF MECHANICAL DESIGNS LTD PTY AND MAY NOT BE USED WITHOUT PRIOR CONSENT



ITEM	DESCRIPTION	MATERIAL	QTY
1	BRIDGE FOOT	316 S/STEEL	2
2	BLANKING PLUG M20 X 1.5	316 ST/STEEL	1
3	SUB PLATE	6081-T6 ALUMINIUM	1
4	OVERSIZE WASHER	A4	10
5	SCREW; PAN_PHL; #10-32X1; S.S	A4	10
6	PILLAR	ACETAL	4
7	BOX BODY	RIGID PU	1
8	BOX LID	RIGID PU	1
9	CAPTIVE GASKET SEAL	SILICON RUBBER	1



SECTION A-A



SECTION A-A